

# 39MT™

HEAVY DUTY GEAR REDUCTION STARTER



WE START THE WORLD & KEEP IT RUNNING™

# 39MT™

Aftermarket Service Program  
New Rotatable Flange™ Models

A few part numbers covering virtually every engine.

Reduce your inventory costs with the Delco Remy 39MT All Makes Program.

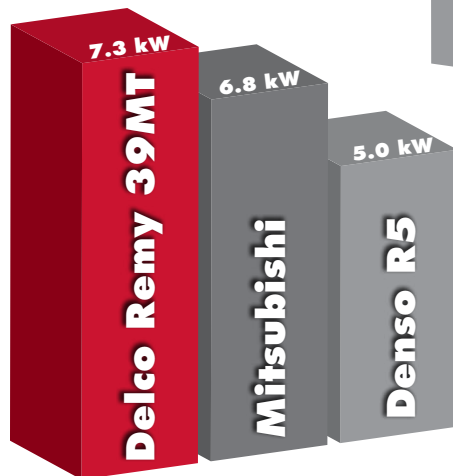
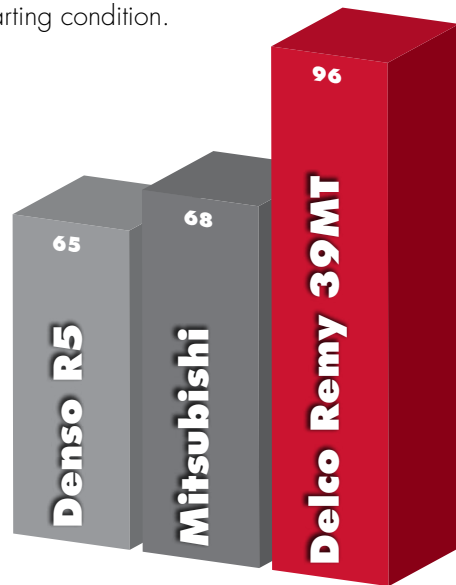
Warranty:  
3 year/unlimited miles

All the new Delco Remy service models come standard with Over Crank Protection (OCP). OCP monitors the internal temperature and prevents thermal damage to the starter by preventing overcranking.

These models also feature an Integral Magnetic Switch (IMS). IMS reduces voltage drop and ensures the solenoid receives the maximum available voltage in any starting condition.

## CRANKING SPEED PERFORMANCE

The Delco Remy 39MT engine cranking speed (RPM) is 30% faster than other starters on the market.



## COLD TEMPERATURE PERFORMANCE

In peak power output at -20°C testing, the Delco Remy 39MT not only met but exceeded the competition handsdown.



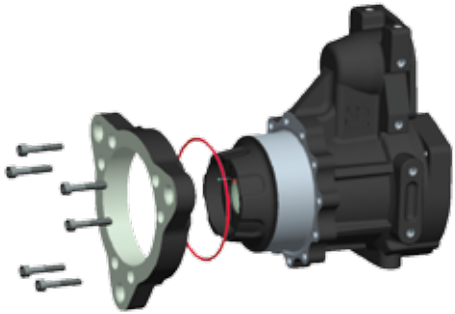
OEM	Engine	Delco Remy OE #	Delco Remy Reman #	New Service #	All Makes Rotatable Flange #	Pinion Pitch/Teeth	Competitive Cross Reference (Mitsubishi)
Freightliner Sterling Western Star	MBE 4000	19011514, 8200690	8300013	8200287 *	8200434	Mod 3 - 12 tooth	MIB971179, MIB971179FL, FL1179
		19011525, 8200687	8300008				
		8200082, 8200660	8300008				
		8200084, 8200624	8300013				
	Cummins ISC, ISL	19011517, 8200691	8300015	N/A	8200433	8/10 - 12 tooth	N/A
		19011526, 8200688	8300007				
		8200087, 8200625	8300015				
		8200081, 8200659	8300007				
	CAT C15, Cummins ISX, ISM, Detroit S60	19011516, 8200627	8300019	8200289	8200308	6/8 - 11 tooth	MIB970975, MIB970975FL, FLO975, MIB970777, MIB970777FL, FLO777, FLO579
		19011518, 8200692	8300019				
19011530, 8200623		8300019					
19011521, 8200686		8300009					
8200091, 8200662		8300009					
8200090, 8200661		8300009					
Detroit DD13/15	8200329, 8200671	8300084 **	N/A	8200434	Mod 3 - 12 tooth	N/A	
Navistar	Cummins ISX, ISM, CAT C13, C15	8200050, 8200604	8300009	8200289	8200308	6/8 - 11 tooth	3815734C91, IN1478
		8200091, 8200605	8300009				
	DT466, DT570, HT570, Maxxforce DT, 9, 10	8200081, 8200659	8300007	N/A	8200433	8/10 - 12 tooth	MITIN1378
		8200218, 8200635					
		8200219, 8200664					
8200360, 8200672							
8200384, 8200639							
MaxxForce 11/13	8200857, 8200606	N/A	N/A	8200817	8/10 - 12 tooth	3667911C91, IN2178	
Kenworth Peterbilt	CAT C9, C10, C11, C12, C13, C15 Cummins ISX, ISM	19011529	8300019	8200290	8200308	6/8 - 11 tooth	D61-6002-004, D61-6002-008, PC0979, PC1479, PC1879, M983579
		8200050	8300009				
		8200090	8300009				
		8200104	8300019				
	8200405 ***, 8200742 ***	N/A	8200742 ***	N/A			
Cummins ISC, ISL				8200433	8/10 - 12 tooth	D61-6002-003, PC1379	
Mack	Mack E7	19011500	8300020	8200288	8200308	6/8 - 11 tooth	MK0077
		19011505	8300020				
		19011531	8300020				
		8200037	8300020				
	Mack MP7	8200223, 8200612	8300059	8200468	N/A	8/10 - 11 tooth	21001797, MK1075
	Mack MP8	8200214	8300060	8200417	N/A	8/10 - 12 tooth	21019460, MK2078, 21019460, MK2079
		8200572, 8200611					
Mack MP10	8200182, 8200610	8300061	8200469	8200433	8/10 - 12 tooth	21045969	
Cummins ISL, ISL-G	8200768	8300007	N/A	8200433	8/10 - 12 tooth	N/A	
Volvo	Volvo D12	19011515	8300004	8200291	8200433	8/10 - 12 tooth	VW0279
		8200186					
		8200058					
	Cummins ISX, ISM	19011516, 8200319	8300009	8200289	8200308	6/8 - 11 tooth	20851006, VW0776, VW0977
		19011517					
		8200087					
		19011530					
		8200091, 8200662					
Volvo D11	8200223, 8200612	8300059	8200468	N/A	8/10 - 11 tooth	21001781, VW1076	
Volvo D13	8200214	8300060	8200417	N/A	8/10 - 12 tooth	21019456, VW2079	
	8200572, 8200611						
Volvo D16	8200182, 8200610	8300061	8200469	8200433	8/10 - 12 tooth	21001825, VW1979	
Autocar	Cummins ISX, ISM	8200091	8300009	8200289	8200308	6/8 - 11 tooth	N/A
		19011530					
	Cummins ISC, ISL, ISL-G	8200218	8300007	N/A	8200433	8/10 - 12 tooth	N/A
Prevoist Bus	24V Detroit S60	N/A	N/A	N/A	8200330	6/8 - 11 tooth	510752, PV2479
MCI Bus	24V Detroit S60, Cummins ISM, CAT C12, C13	N/A	N/A	N/A	8200330	6/8 - 11 tooth	71-01-1008, MC2378
Various 24V	CAT C12, C13, C15, Cummins ISM, ISX, N14, Detroit S60, Mack E7				8200330	6/8 - 11 tooth	N/A
	Cummins ISB, ISC, ISL, Navistar DT466, DT530, Volvo D12				8200435	8/10 - 12 tooth	
	Mercedes 4000, Detroit DD13, 15				8200436	Mod 3 - 12 tooth	

\* The replacement starter may mount the engine with the solenoid facing down by design.  
 \*\* Replaces reman part # 8300058. \*\*\* Integrated OCP



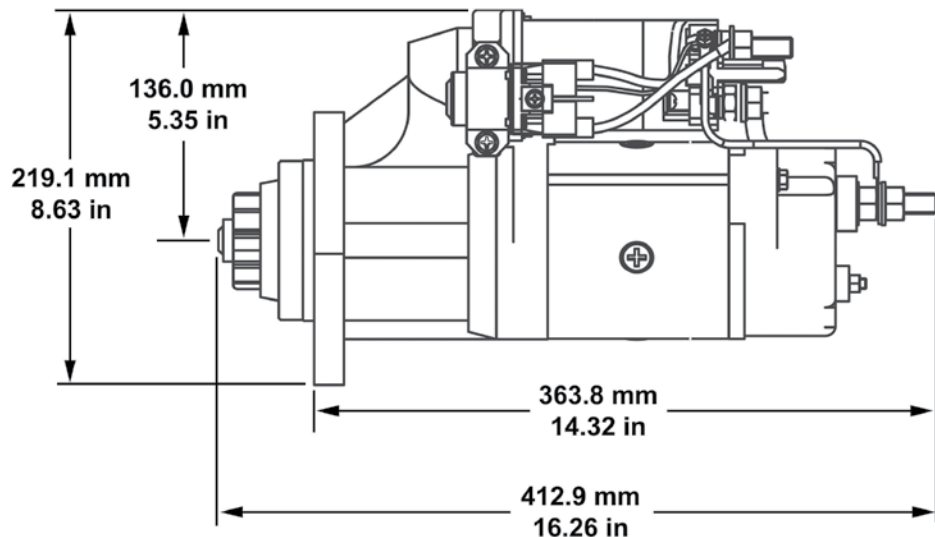
Part numbers fast  
at delcoremy.com

# Specifications

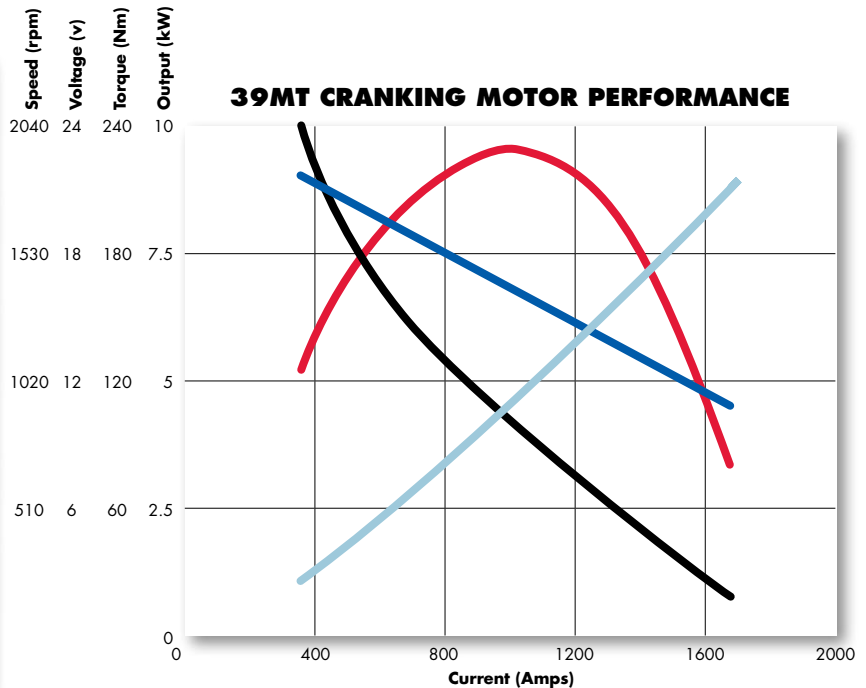


The new rotatable flange models were designed specifically to improve service flexibility and part number consolidation.

The new service models easily replace competitive units and provide full industry application coverage.



39MT SPECIFICATIONS ALL MAKES	
<b>Engine Size</b>	12V up to 16 Liters 24V up to 16 Liters
<b>Rotation</b>	Clockwise
<b>Mounting</b>	12V: SAE #1, SAE #3 24V: SAE #3
<b>Pinion Data</b>	SAE: No. Teeth (Pitch) 11 (6-8) SAE: No. Teeth (Pitch) 12 (8-10) SAE: No. Teeth (Pitch) 12 (Mod 3-metric)
<b>Output</b>	12V peak at 7.3kW 24V peak at 9.0kW
<b>Weight</b>	14 kg / 30.8 lbs.
<b>Diameter</b>	114 mm / 4.5 inches
<b>Heavy Duty Drive</b>	Electrical Soft-Start Engagement System Overrunning Clutch
<b>Overcrank Protection</b>	Built-in circuit breaker protects starter from thermal damage and automatically resets at safe operating temperature



Remy International, Inc. is a leading global manufacturer of Delco Remy brand heavy duty starters and alternators, light duty starters and alternators, and electric motor technology for EV and hybrid vehicles. We lead with product innovation and performance – you win with trusted, knowledgeable support.

Remy International, Inc.  
600 Corporation Drive  
Pendleton, IN 46064 USA  
For Technical Assistance call 1-800-372-0222



**delcoremy.com**

Delco Remy is a registered trademark of General Motors Corporation  
C11125 | 3-13